

\$ Saver Product

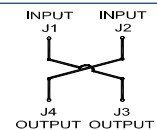
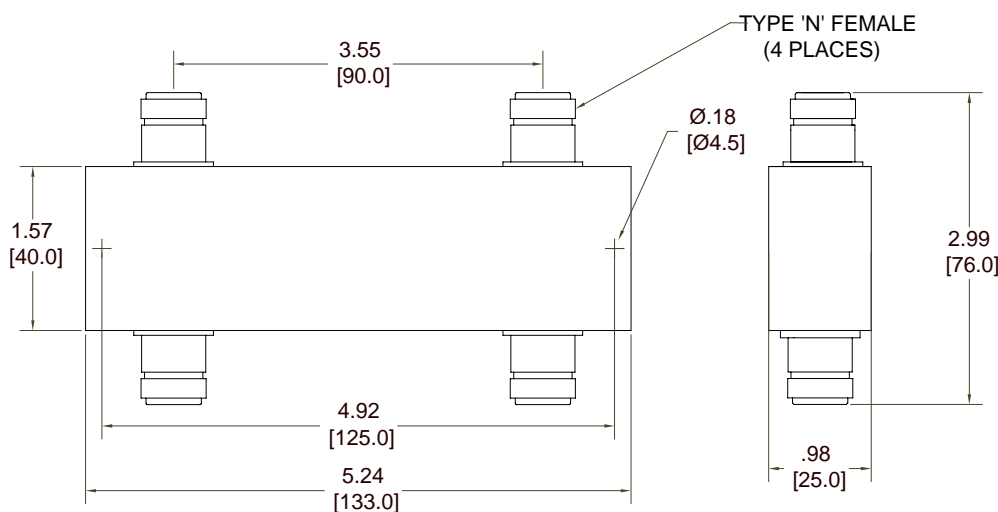
- ◆ Low Cost Hybrid Combiner
- ◆ High Isolation, Low VSWR and Loss
- ◆ Dual Band Range for combining Cellular, GSM, PCS, UMTS and WiFi
- ◆ 60 Watt/Input Average Power Rating
- ◆ High Reliability, Moisture sealed
- ◆ RoHS compliant
- ◆ Convenient connector spacing



This Hybrid has been designed to meet the special needs of the wireless market. Hybrids are most commonly used to combine two wireless carriers in the band to a single antenna feed or distribution cable. This requires the termination of one output port in 50Ω and results in a 3 dB loss in each signal. In situations where two similar feeds are required, as required for an in-building application, both outputs may be used, eliminating the need for a termination and the 3 dB loss. Hybrid Couplers with higher isolation and specified low Passive Intermodulation, PIM, are available as Model CA-84N.

Mechanically they are passivated aluminum housings, moisture sealed for outside applications to meet IP65. Connectors are spaced to allow controlled wrench tightening. (12/09)

Model:	CA-89N
Frequency Range:	800 - 2500 MHz
Isolation:	>25 dB
VSWR, all ports:	<1.2:1
Coupling/Loss:	$3.1 \pm 0.50\text{dB}$
Impedance:	50Ω nominal
Maximum Power:	60W per input 1.5kW peak
Environment:	IP 65
Temperature Range:	-25°C to +70°C
Housing:	Passivated aluminum
RoHS:	Compliant
Connectors:	Triplate, N(f)



DC Continuity

DC path for up to 1A is maintained between J1 and J3 & between J2 and J4.

All dimensions ± 0.60 inches unless otherwise noted. Dimensions in mm are for reference only.