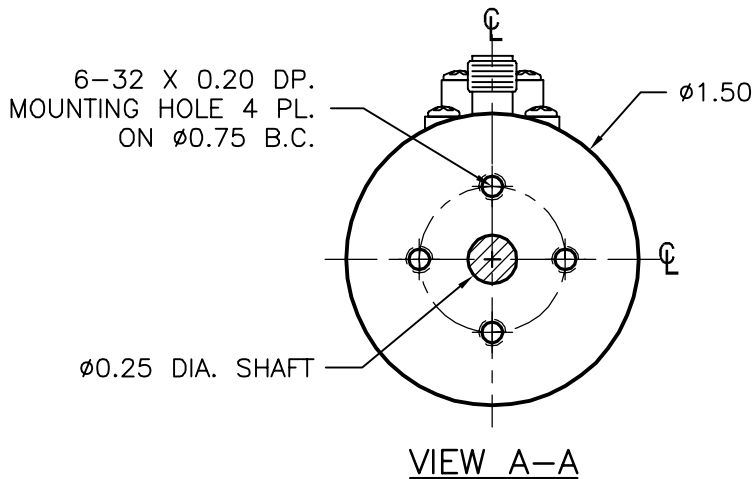
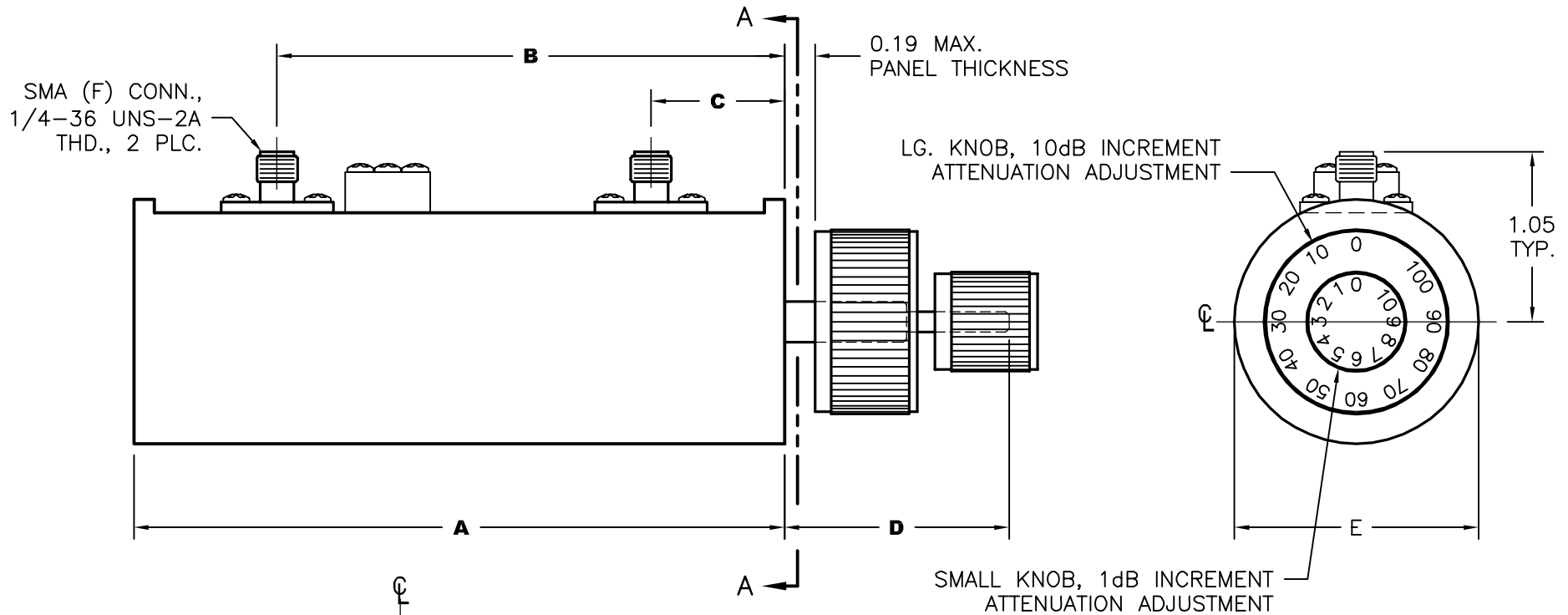


REV A	AUTH RL	DATE 6/27/01	INITIAL RELEASE
REV B	AUTH RL	DATE 06/19/02	ADDED DIMS FOR MOD# AS113-50-1
REV C	AUTH RL	DATE 05/31/06	FORMAT UPDATE; ILLUSTRATION REVISED TO SHOW KNOB MOUNTING DETAIL



MODEL	DIM A	DIM B	DIM C	DIM D	DIM F
AS113-110-1	4.00	3.12	.82	1.38	Ø1.50
AS113-50-1	4.00	3.12	.82	1.38	Ø1.50

THIRD ANGLE PROJECTION:		APPROVALS	DATE	ADVANCED TECHNICAL MATERIALS, INC. TEL: (631) 289-0363 FAX: (631) 289-0358 www.atmmicrowave.com		THE INFORMATION IN THIS DRAWING IS PROPRIETARY AND SHALL NOT BE USED OR DISCLOSED WITHOUT THE PRIOR WRITTEN CONSENT OF ATM, INC. DO NOT SCALE DWG.	
UNLESS OTHERWISE NOTED, DIMENSIONS ARE IN INCHES. TOLERANCES ARE: FRACTIONS: ±1/64 ANGLES: ±1/2°		DRAWN RL	05/31/05	OUTLINE, DUAL CONCENTRIC ROTARY STEP ATTENUATOR		SIZE A	REVISION C
BASIC DIMENSION		CHKD.	APRVD.	ATM DWG # 4399W		CAGE CODE OR8N4	
UNDER 6"	DECIMALS 2 PLACE ±.02 3 PLACE ±.005	MATERIAL -		SCALE 1 : 1		MODEL # SEE TABLE	SHEET 1/1
6" - 12"	±.03 ±.010	TREATMENT -					
OVER 12"	±.06 ±.015	FINISH -					