

HUBER+SUHNER® DATA SHEET

EMP Protector: 3409.17.0027-EX

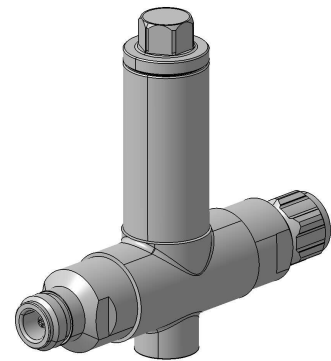


Description

High-power/low-IM GDT hybrid technology

Benefits

Self-extinguishing SEMPER(TM) functionality
AISG compliant for 2.176 MHz carrier
Broad-band operation
DC continuity for outdoor powering
The protector can also be installed reversely
With GDT unit 9071.99.0748, 90V



Product Configuration

Main path connectors Port 1: unprotected, N plug (male) - Port 2: protected, N jack (female)
Mounting and grounding M8/brk (M=screw/brk=bracket)

Technical Data

Electrical Data

Impedance	50 Ω			
Frequency range	2.176 MHz	806 to 2500 MHz	806 to 960 MHz	1710 to 2500 MHz
Return loss	20 dB typ.	≥ 20.8 dB	≥ 26 dB	≥ 26 dB
Insertion loss	0.1 dB typ.	≤ 0.15 dB	≤ 0.15 dB	≤ 0.15 dB
RF CW power		≤ 500 W	≤ 1000 W	≤ 500 W
PIM 3 rd order		not specified	-150 dBc typ.	-150 dBc typ.
DC voltage	≤ 48 V			
DC current	≤ 2.5 A			
Surge current handling capability	30 single / 20 multiple kA (test pulse 8/20 μs)			
Residual pulse energy	350 μJ typically (test pulse 4 kV 1.2/50 μs / 2 kA 8/20 μs)	main path - protected side		
Turn-off time	20 s typically at 2.0 A and 25 °C ambient temperature			
	< 40 s typically below 1 A and 25 °C ambient temperature			
Recovery time	7 s at 25 °C ambient temperature			

Mechanical Data

Weight 402 g

Environmental Data

Operating temperature -40 °C to +85 °C (Lightning protection functionality)
-20 °C to +85 °C (SEMPER™ functionality)
Waterproof degree IP 65 (according to IEC 60529, data refer to the coupled state)
2002/95/EC (RoHS) Telecom compliant

Material Data

Piece Parts

	Material	Surface Plating
Housing	Brass	SUCOPLATE (R) Plating
Port 1 center contact	Brass	Gold Plating (without Nickel underplating)
Port 2 center contact	Copper Beryllium Alloy	Gold Plating (without Nickel underplating)

Related Documents

Outline drawing DOU-00004497.1
Mounting instruction DOC-0000176104

HUBER+SUHNER is certified according to ISO 9001 and ISO 14001

WAIVER!
It is exclusively in written agreements that we provide our customers with warrants and representations as to the technical contained specifications and/or the fitness for any particular purpose. The facts and figures herein are carefully compiled to the best of our knowledge, but they are intended for general informational purposes only.



HUBER+SUHNER AG
RF Protection
9100 Herisau, Switzerland
Phone +41 (0)71 353 41 11
Fax +41 (0)71 353 47 51
www.hubersuhner.com

HUBER+SUHNER – Excellence in Connectivity Solutions