

# HUBER+SUHNER® DATA SHEET

## EMP Protector: 3407.17.0085

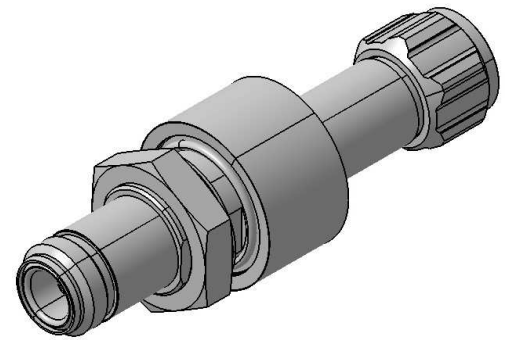


### Description

Quarter-wave stub technology with integrated high-pass filter

### Benefits

**Broad-band operation**  
**Space saving inline design**  
**Compliant to IEC 61643-21**



### Product Configuration

|                        |   |
|------------------------|---|
| Main path connectors   | Port 1: <u>unprotected</u> , N plug (male) - Port 2: <u>protected</u> , N jack (female) |
| Mounting and grounding | MH170/brk (MH=bulkhead mounting/brk=bracket)  |
| Side of bulkhead       | protected side  |
| Design speciality      | inline design   |

### Technical Data

#### Electrical Data

|                                   |   |
|-----------------------------------|---|
| Impedance                         | 50 $\Omega$   |
| Frequency range                   | 2000 to 6000 MHz  |
| Return loss                       | $\geq 20$ dB  |
| Insertion loss                    | $\leq 0.2$ dB   |
| RF CW power                       | $\leq 300$ W  |
| PIM 3 <sup>rd</sup> order         | not specified   |
| Surge current handling capability | 50 multiple kA (test pulse 8/20 $\mu$ s)  |
| Residual pulse energy             | 0.0001 $\mu$ J typically (test pulse 4 kV 1.2/50 $\mu$ s / 2 kA 8/20 $\mu$ s)    main path - protected side |

#### Mechanical Data

|                   |      |
|-------------------|------|
| Number of Matings | 100  |
| Weight            | 85 g |

#### Environmental Data

|                       |   |
|-----------------------|---|
| Operating temperature | -40 °C to +85 °C  |
| Waterproof degree     | IP 65 (according to IEC 60529, data refer to the coupled state) |
| 2002/95/EC (RoHS)     | compliant   |

#### Material Data

##### Piece Parts

| Piece Parts           | Material               | Surface Plating                            |
|-----------------------|------------------------|--|
| Housing               | Aluminium              | Chromatized                                |
| Port 1 center contact | Brass                  | Gold Plating (without Nickel underplating) |
| Port 2 center contact | Copper Beryllium Alloy | Gold Plating (without Nickel underplating) |

### Related Documents

|                      |                |
|----------------------|----------------|
| Outline drawing      | DOU-00144797.1 |
| Mounting instruction | DOC-0000176104 |

### Remarks

Recommendation: if this protector is mated with connectors made of copper-alloy base material and trimetal or nickel plating the connector area must be taped to improve long-term durability.

HUBER+SUHNER is certified according to ISO 9001 and ISO 14001

#### WAIVER!

It is exclusively in written agreements that we provide our customers with warrants and representations as to the technical contained specifications and/or the fitness for any particular purpose. The facts and figures herein are carefully compiled to the best of our knowledge, but they are intended for general informational purposes only.



**HUBER+SUHNER AG**  
**RF Protection**  
**9100 Herisau, Switzerland**  
Phone +41 (0)71 353 41 11  
Fax +41 (0)71 353 47 51  
www.hubersuhner.com

**HUBER+SUHNER – Excellence in Connectivity Solutions**